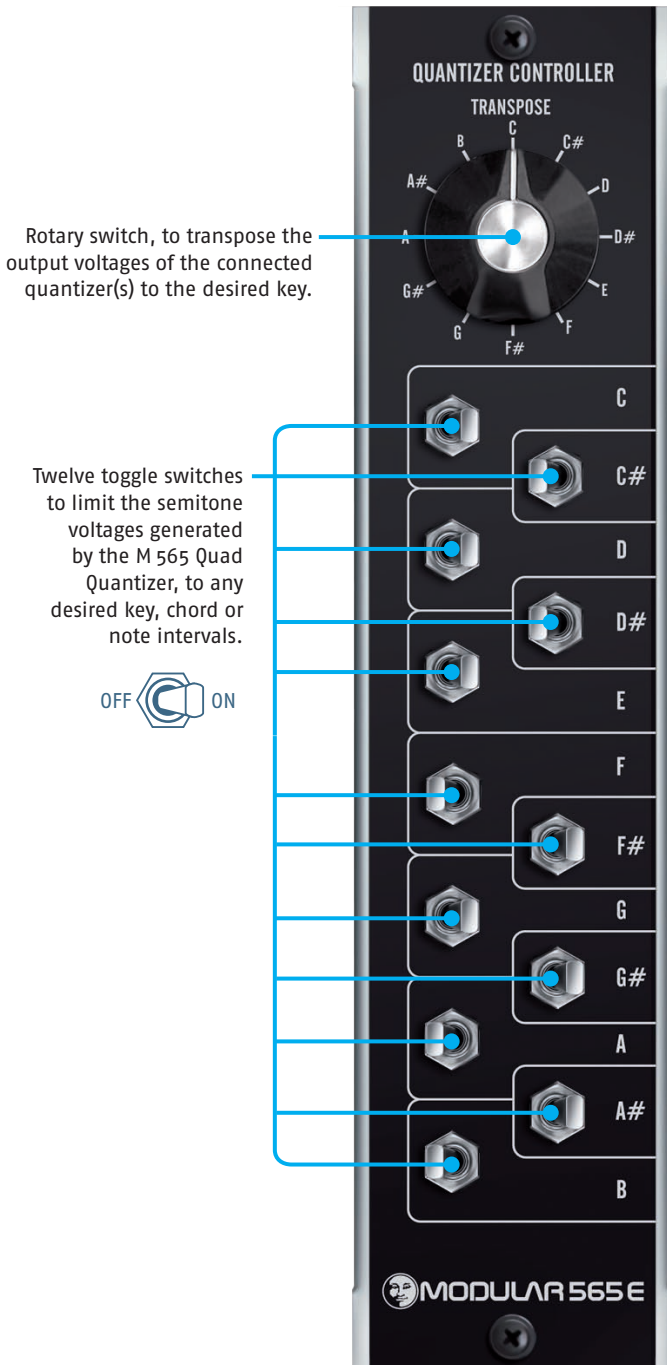


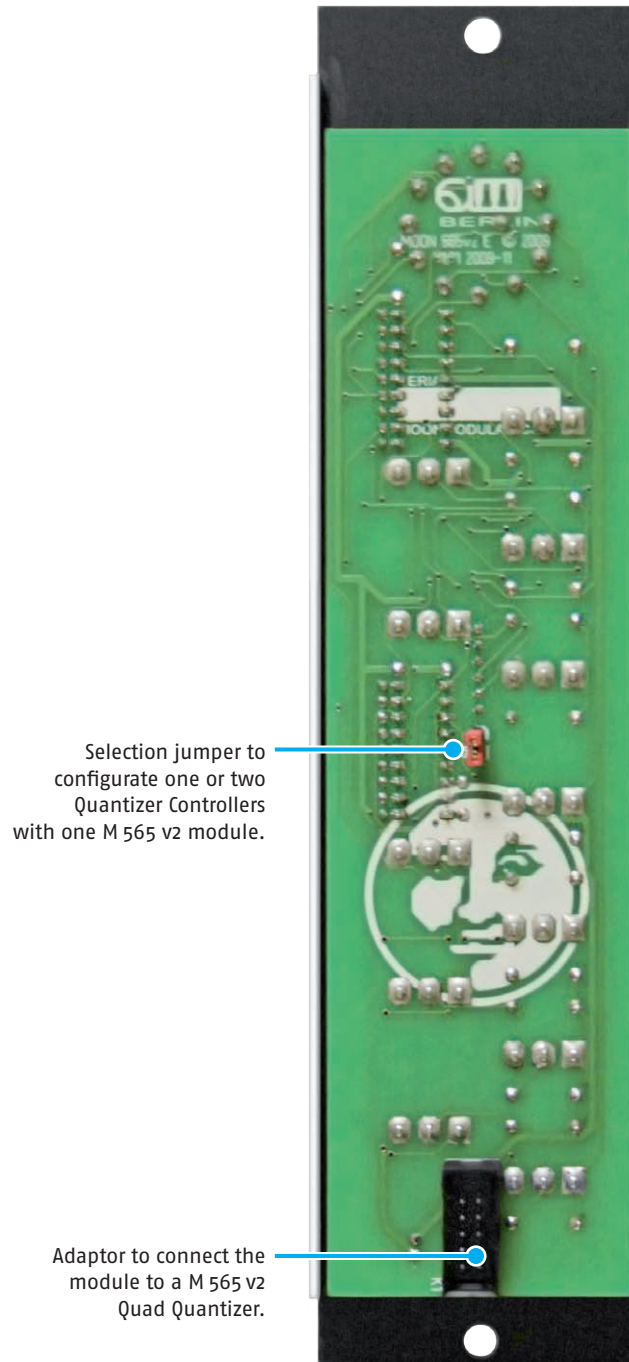
565 E

QUANTIZER CONTROLLER



Rotary switch, to transpose the output voltages of the connected quantizer(s) to the desired key.

Twelve toggle switches to limit the semitone voltages generated by the M 565 Quad Quantizer, to any desired key, chord or note intervals.



Selection jumper to configure one or two Quantizer Controllers with one M 565 v2 module.

Adaptor to connect the module to a M 565 v2 Quad Quantizer.

The M 565 E Quantizer Controller allows to limit the output voltages generated by the M 565 v2 Quad Quantizer to any desired key, chord or note interval.

Using the array of 12 keyboard-like arranged toggle switches on the right, notes can be activated or deactivated in any combination.

The adjusted scale works over the whole quantizing range of the M 565 (10 octaves), and controls all four quantizing-units in parallel.

Up to two M 565 E Quantizer Controller modules can be connected to a single M 565 v2, which allows two different keys/scales to be used at once. Quantizer 1 and 2 can depend on the first quantizer controller, quantizer 3 and 4 on the second. See below.

The 12-position rotary switch transposes the output voltages of the connected quantizer(s) in semitone increments to the desired key

A M 565 v1 Quad Quantizer module can be updated to a v2, then allowing the connection of M 565 E Controller Modules.

Configuration of the M 565 Quantizer connected to one M 565 E controller module.

Option 1

M 565 E controls all four channels of the M 565 v2

Connect cable to the 565 v2's „Expander 1“ slot, do *not* remove the jumper on the M 565 E.

Option 2

M 565 E controls only channel 3 and 4 of the M 565 v2

Connect cable to the 565 v2's „Expander 2“ slot, *remove* the jumper on the M 565 E.

Configuration of the M 565 Quantizer connected to two M 565 E controller modules.

The first M 565 E controls channel 1 and 2, the second M 565 E controls channel 3 and 4

Do *not* remove the jumper on the first M 565 E, connect cable to the 565 v2's „Expander 1“ slot.

Remove the jumper on the second M 565 v2, connect cable to the 565 v2's „Expander 2“ slot.